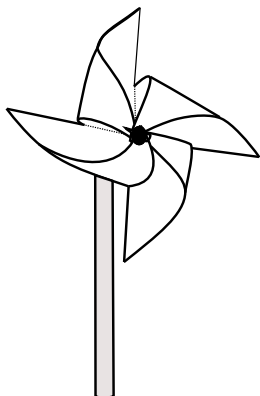
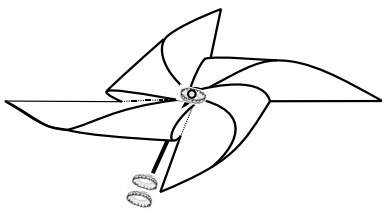
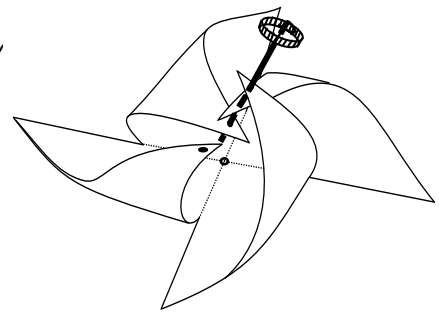
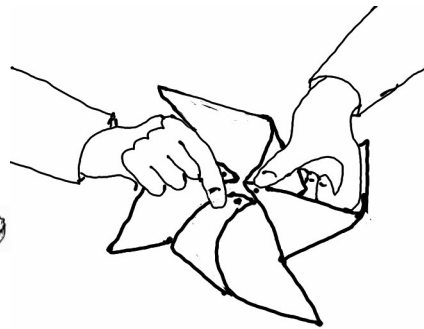
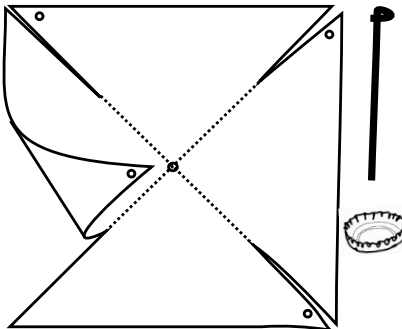
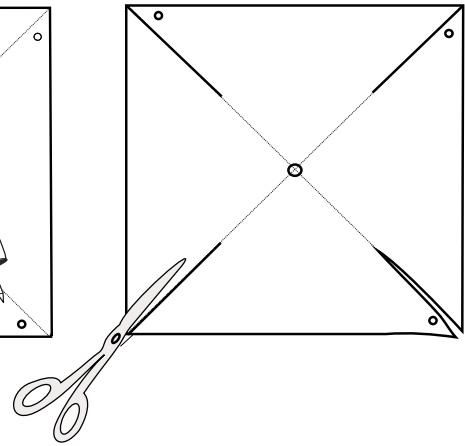
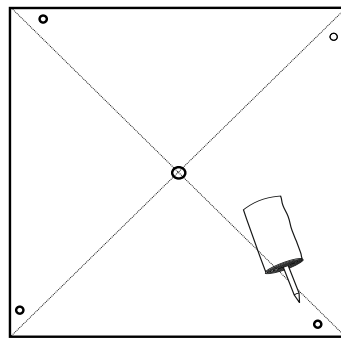
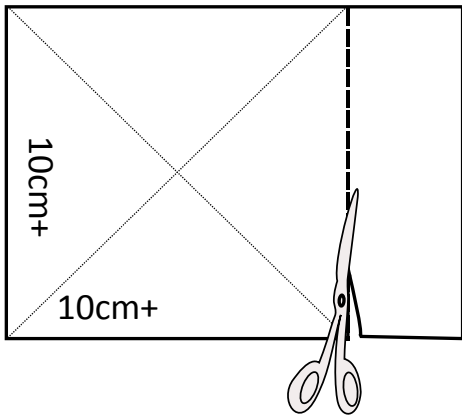


Windmill

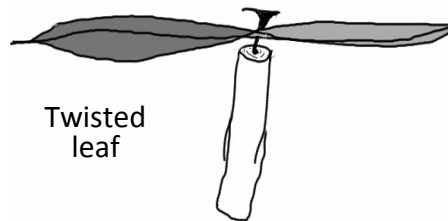
Small windmill 6cm x 6cm
Use plastic or new paper.



What it does: A good windmill will turn with blowing, running or the wind.

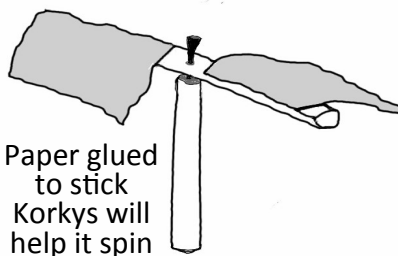
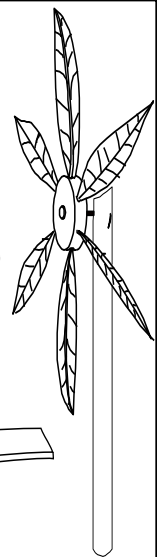


Other Windmills

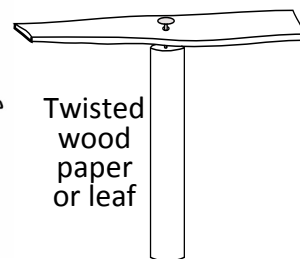


Twisted leaf

Feathers or leaves in potato or clay



Paper glued to stick
Korkys will help it spin



Twisted wood paper or leaf